

FRONT LEFT WHEEL COMPLETE

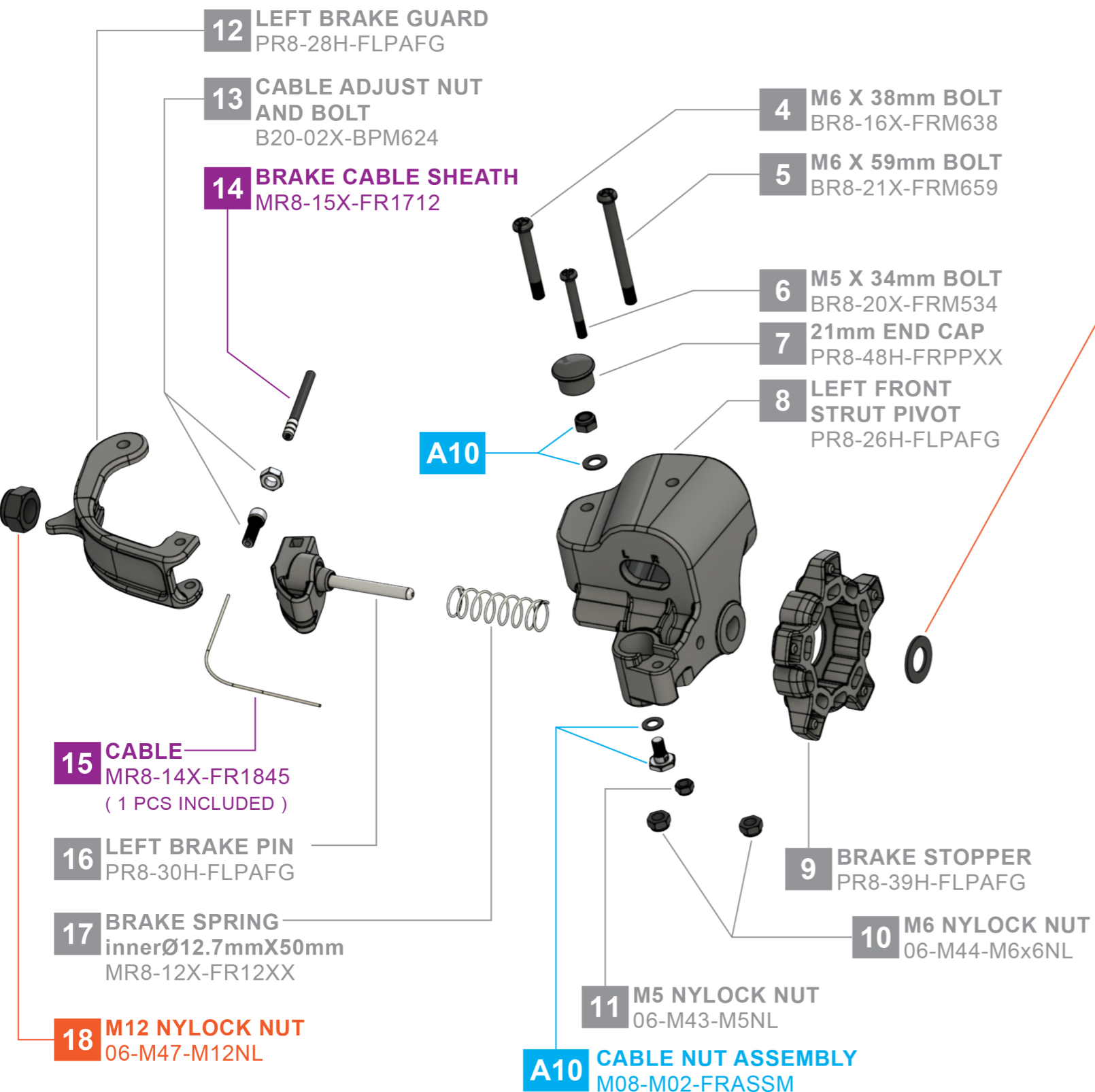
A5 BRAKE CABLE SET Model 8.0 (Cable & Sheath)
M08-01X-HCASSM

A10 CABLE NUT ASSEMBLY
M08-M02-FRASSM

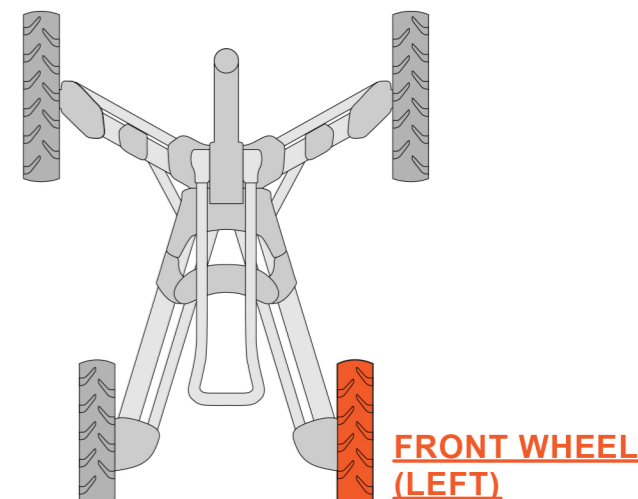
*** W2** ASSEMBLED FRONT WHEEL (LEFT)
(Model 8.0) c/w AXLE
P08-34#-FLASSM

*** # - TO SPECIFY WHEEL COLOR**

- W - WHITE □ Y - YELLOW
- H - BLACK □ L - LIME
- B - BLUE ■ R - RED



3 M12 WASHER
φ12×φ23.5×1.5
06-M57-M12WS



1 FRONT WHEEL COMPLETE (LEFT)
PR8-34#1-FLASSM

